

F E D C B A

4

3

2

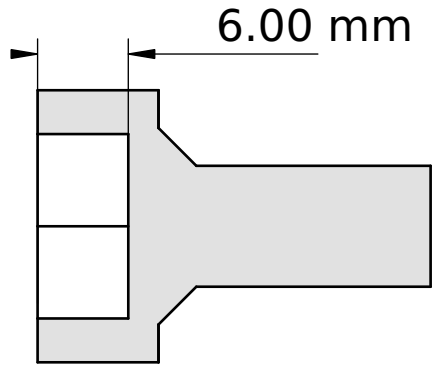
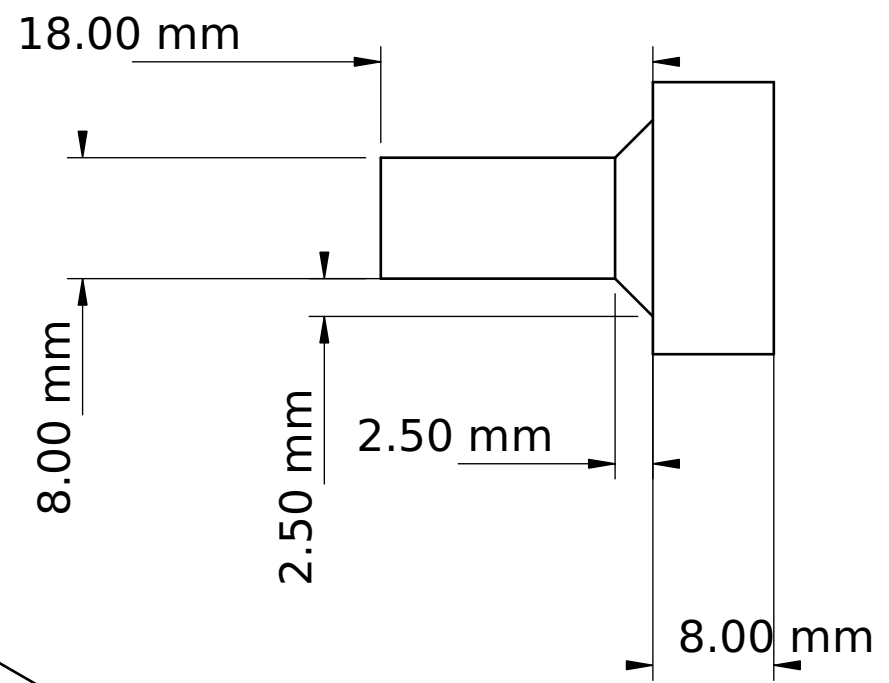
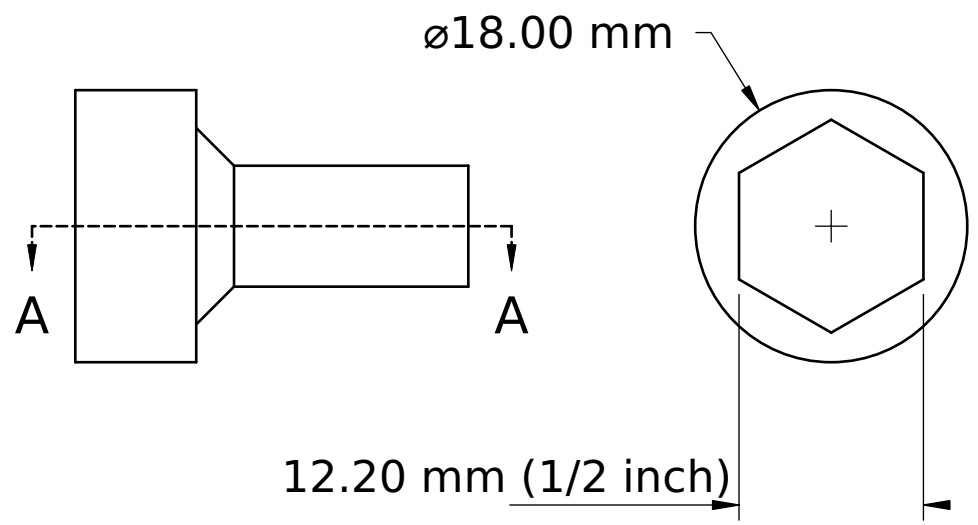
1

4

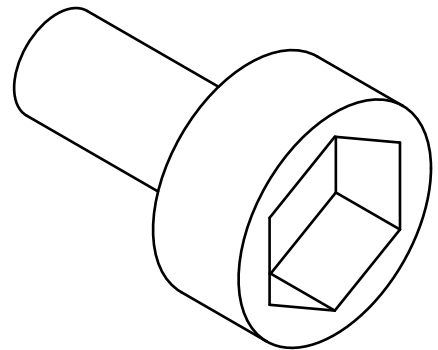
3

2


1



Section A



Note:
 1/2 inch Hex nut to 8mm shaft
 Material: MJF Nylon
 Finish: Tumbled
 Supplier: JawsTec.com

DESIGNED BY: Michael Miller		Hex Nut Encoder Adapter		G	—
DATE: 2021-01-24		amt103_encoder_8mm_adapter_v1.stl		F	—
SIZE A4				E	—
SCALE				D	—
WEIGHT (kg) n/a	DRAWING NUMBER n/a	C	—	B	—
SHEET 1 of 1		A	—		
This drawing is our property; it can't be reproduced or communicated without our written consent.					

F E D C B A